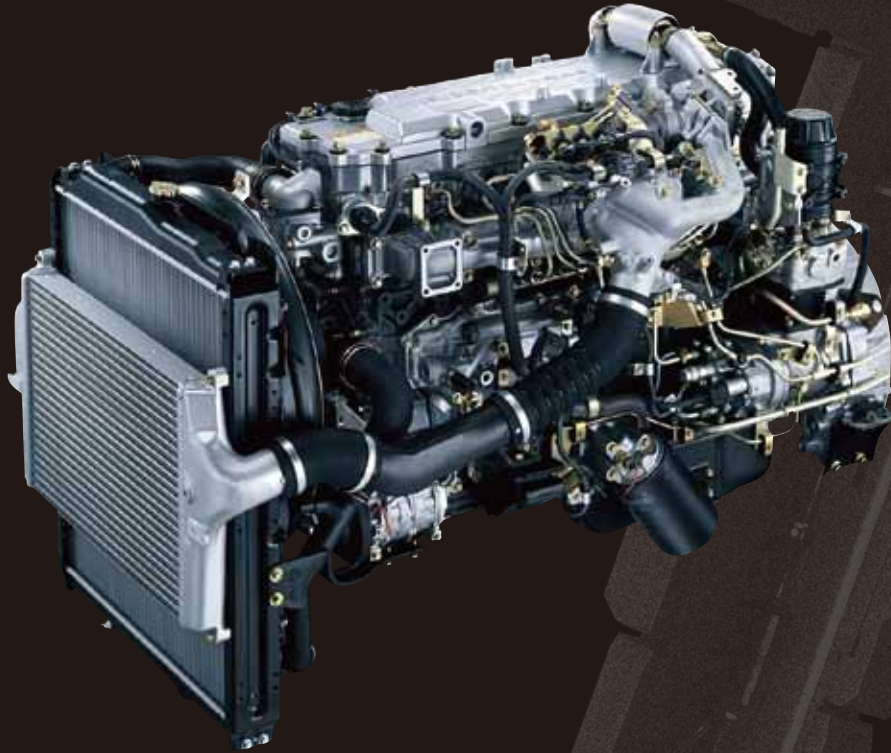


# FUSO Genuine Injection Cleaner

Regular maintenance using the genuine injection cleaner enables safety operation.



## Medium-duty trucks and buses with the 6M60 engine require regular cleaning of the injectors.

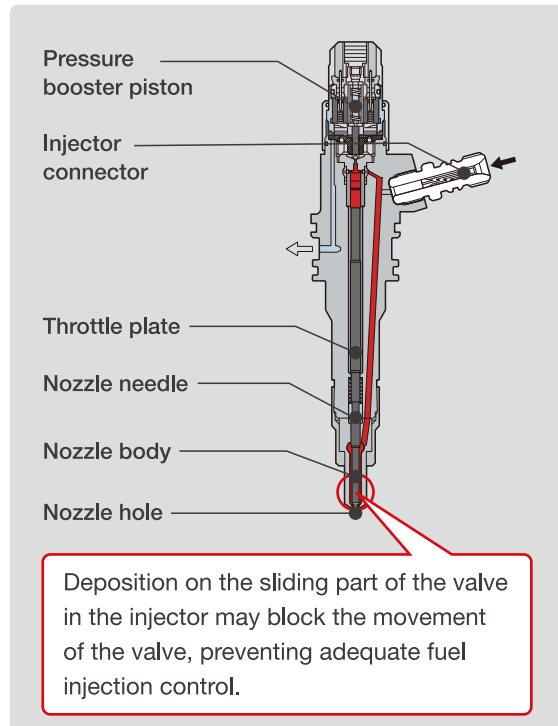
In order to improve fuel efficiency, the engine installed in the currently available Medium-duty trucks and buses injects fuel at high pressures. This raises the fuel temperature, which makes the internal fuel injection system, the injectors in particular, susceptible to the deposition of dirt derived from impurities and additives in the fuel. The deposition may affect the normal control of fuel injection, resulting in unexpected engine troubles. That is why we would like to introduce FUSO Genuine Injection Cleaner for your regular maintenance.

Please contact your local dealer for the safety operation of your vehicle.



# Clean injectors regularly to prevent unexpected failure and maintain performance!

## Why do you need to clean injectors?



## What are the benefits of injector cleaning?

**Prevents engine troubles**

**Recovers engine power**

**Prevents poor fuel consumption**

## FUSO Genuine Injection Cleaner

Optimal and safe cleaner guaranteed by Mitsubishi Fuso



### [Instructions]

- 1** Stop the engine.
- 2** When pouring the cleaner in, make sure not to include oil, dust, water and other materials that may be attached around the opening of the fuel tank filler.
- 3** Be sure to observe the following conditions in order to better mix the cleaner and fuel.
  - **Be sure to pour the cleaner first, immediately before feeding fuel.**
  - **Once poured into the cleaner, feed fuel before starting the engine. Never start the engine before feeding fuel.**
 Insufficient mixture of fuel and the cleaner may cause engine trouble. Be sure to use four bottles of the cleaner for the full tank of fuel.

[Reference] Vehicles with a 200 liter fuel tank: 1.2% (=2.4 liter/ 200 liter). For vehicles with a fuel tank smaller than a 200 liter capacity, divide the portions into two batches. Make sure to keep the highest concentration below 1.5%. Be sure to observe the instructions, as an excessive amount of the cleaner may cause engine trouble.

### ■ Injection Cleaner Details

|                |          |
|----------------|----------|
| Capacity       | 600 ml   |
| Product number | QZ000658 |

## Regular replacement of other fuel system parts is also recommended.

### Replacement of fuel filters

The FUSO Genuine Fuel Filters function as fuel purifiers that remove impurities from fuel. Failure to replace the filter may impose a burden on the engine, resulting in a malfunction or failure.

### Replacement of engine oil

FUSO Genuine Engine Oil (SDH-2 and DH-2) helps the engine maintain the environmental rating of the exhaust gas and the durability of the body at a high level. It has various effects on the engine, including lubrication, cooling, cleaning, and rust prevention.

### Replacement of oil filters

FUSO Genuine Oil Filters filter metal particles and other impurities generated in the engine to keep the engine oil clean. Failure to regularly replace the filter may impose a burden on the engine, resulting in failure.



**FUSO website  
has been renewed**  
[www.mitsubishi-fuso.com/en/](http://www.mitsubishi-fuso.com/en/)